

BEAM CHAMP[®]

BY INNOVATECH[®]



TURN YOUR BEAM LINE INTO A WELDING POWERHOUSE

Cut beam handling time, free up your cranes, and let BeamChamp's **BeamSteady™ Arm** turn saw-horse downtime into finished tons.



YOU'RE ALREADY PAYING FOR THIS ARM.

Kill the saw-horse shuffle—BeamChamp's stabilizer holds the beam rock-steady so downtime turns into finished tons, instead of re-rigging, idle welders, and sore backs.

PRODUCTIVITY, SAFETY & PAYBACK

- **Free up your cranes.** BeamChamp handles the flips so cranes stay on the big lifts.
- **Turn hurry-up-and-wait** into steady flow with fewer flip stops and surprises.

WHY YOUR CREW STICKS AROUND

- **Comfortable weld positions.** Chest-high, easy-reach welds instead of 'make it work' contortions.
- **Less strain and fatigue.** Fewer awkward lifts, less end-of-shift burnout, and happier, safer crews.

SAFETY & COMFORT

- **Lock the load, lose the wrestling match.** The BeamSteady™ Arm holds the beam rock-steady — no more fighting a "live" load during fit-up.
- **Keep crews out of the danger zone.** Welders stay on the floor, not under a swinging beam.

ROI & PROOF

- "In a typical structural shop, BeamChamp can pay for itself in months, not years."
- "It's more efficient, it's safer, and it's been a great process." — Anthony McWhirter, McWhirter Steel

ON THE FLOOR

- Flipping beams the old way is slow, sketchy, and hard on your crew.
- Welders fight beams instead of burning rod.
- Home-built rigs don't hold beams rock-solid while you work.

IN THE OFFICE

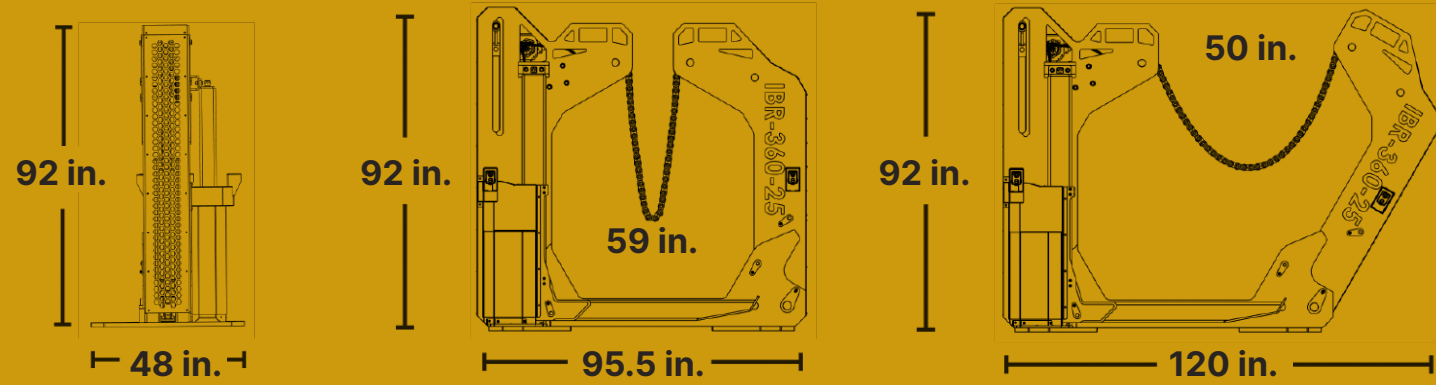
- BeamChamp turns crane bottlenecks into non-issues.
- Do more steel with the crew you already have.
- Shops report over 20% throughput on their beam line with BeamChamp in place.

"Get beams turning, welders burning, and cranes back on the big lifts."



Scan the QR code for an ROI calculator and real shop-floor case studies.

SIZE, WEIGHT & LIFTING CAPACITY



Specifications At-A-Glance	
Model Number	BC30V2
Weight	5,590 lbs.
Motor	NEMA Premium 3-Phase 5-HP
Volts	480 V AC 60Hz
Control Volts	24 V DC
Circuit Breaker	30 S=A Connect Solo
Hyd. Oil	AW 46
Hyd. Capacity	18 gal. tank / 21 gal. system
PSI Op./Max	2,500/3,000
Ambient Temp.	32°F to 104°F
Sound	63 dB



Scan to view full specs, dimensions and capacities

ENHANCED FEATURES THAT KEEP WORK MOVING

BeamChamp is built for real beam-line loads and long days in busy structural shops.

The BeamChamp steel beam rotator system synchronizes multiple units to flip a single beam in one smooth move—without tying up your cranes. It cradles the beam in a continuous chain for 360° beam rotation, opens wide for fast load-in, and solidly supports the beam for welding and fit-up. With built-in lift pockets and wireless control, you can shift BeamChamp from short beams to long beams and reconfigure an entire weld line in under an hour.

BUILT FOR STRUCTURAL SHOPS

Built for Shops that:

Move heavy wide-flange beams (up to W44) on the beam line every day.

Rely on overhead cranes or forklifts to flip beams for fit-up and welding.

Fight hurry-up-and-wait at welding stations and crane bottlenecks.

Want safer, more repeatable rotations with fewer manual lifts and less rework.

Key Advantages:

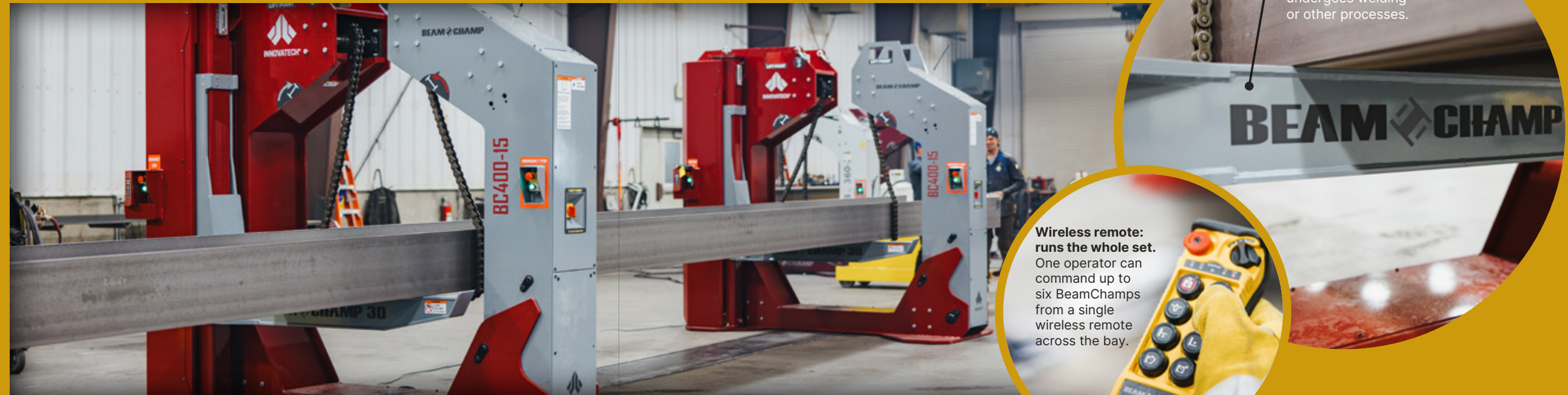
BeamSteady™ Arm – Keeps beams stable after rotation and while the team is welding.

Larger Capacity – 30,000 lbs per pair today; ask about higher-capacity BeamChamp, 50,000+ lbs.

Chain, Not Straps – Heavy-duty chain delivers durability and long service life.

Proprietary LowLift™ Jaw Opening – Easier loading and unloading than fixed-frame rotators.

Individual Chain Motion Between Units – Let beams sit on a slight angle while maintaining full control.



BeamSteady™ Arm
Supports weight of beam while beam undergoes welding or other processes.

Wireless remote: runs the whole set.
One operator can command up to six BeamChamps from a single wireless remote across the bay.

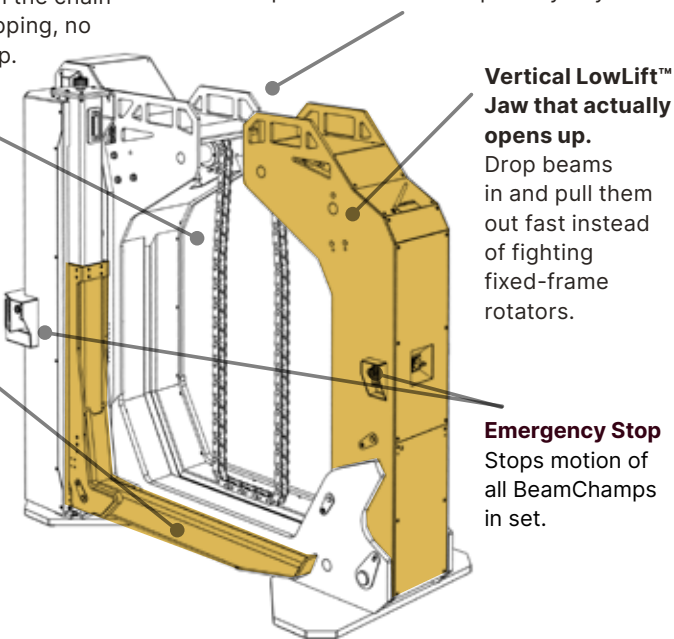
EQUIPMENT OVERVIEW

Chain cradle, not a sketchy sling.

Beam stays captive in the chain while it turns—no slipping, no “uh-oh” shifts mid-flip.

Unit Keypad
Controls single BeamChamp unit.

BeamSteady™ Arm that holds it rock-steady.
Hold the beam firm for welding and fit-up—no bobbing a live load and no more dragging saw horses under every piece.



Vertical LowLift™ Jaw that actually opens up.
Drop beams in and pull them out fast instead of fighting fixed-frame rotators.

Emergency Stop
Stops motion of all BeamChamps in set.

Easy to move, easy to power.

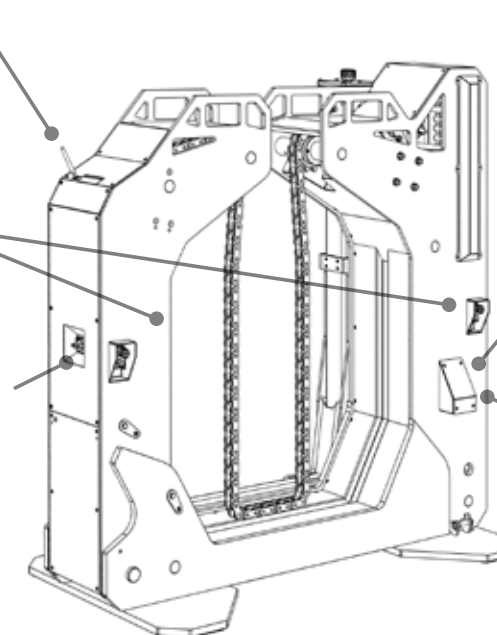
Built-in lift pockets and simple power/communication connections make it quick to reposition and hook up in any bay.

Wireless control, less cable clutter.

Optional pairing module lets you run up to six units without a trip-hazard tangle.

Emergency Stop
Stops motion of all BeamChamps in set.

Power Switch/ Lockout Point
Provides power on/off switch and lockout point.



Built for real beam-line loads.

Up to 30,000 lbs per pair today, with higher-capacity models on the way—and up to six synced units for longer, heavier beams within rated limits.

Fast access for service.
An easy-access panel (just below the Power Switch/Lockout Point) keeps controls and components within reach, so checks and maintenance don't slow the line down.

Sync multiple units, flip one beam
Rotate long, heavy members in one smooth move across the bay.

WIRELESS CONTROL FOR TOTAL PRECISION

Make your welders' day easier (and your schedule smoother).

- **Happier welders, smoother shifts.** Wireless control lets operators walk the beam, see everything, and keep their hands on the work instead of on a tethered pendant.
- **Ultimate control at your fingertips.** Fine-tune chain height and the BeamSteady™ Arm from the unit keypad while the whole set rotates together—no guessing, no blind spots.
- **Built for real beams.** Designed to handle W44 and the ugly, real-world steel that shows up on your line.

SERVICE & SUPPORT THAT HAS YOUR BACK

Service & support that sticks around.

- **24/7 technical support.** Phone or live video with BeamChamp specialists when you need answers fast.
- **On-site and remote training.** We help your crew get comfortable with the system so they're productive from day one.
- **No-nonsense support, right from the app.** Submit a ticket in seconds, attach photos or notes, pull up operator manuals, order the parts you need, and connect with a real BeamChamp technician who actually knows your system.



Scan the QR code to download our app.

A QR code on each unit links to a machine-specific service app



BUILT TO LAST, MADE TO WORK

Engineered to last.

- **U.S.-built, shop-ready.** Made in the U.S.A. with components chosen for the abuse of structural fabrication.
- **Shop-tough, not light-duty.** Chain, frame, and drive systems are spec'd for long service life, not light-duty showpieces.
- **Designed by people who build.** Years of field feedback and engineering time show up in how BeamChamp runs day after day.



**"It's more efficient, it's safer,
and it's been a great process"**

- Anthony McWhirter, McWhirter Steel



SAFETY & ERGONOMICS AT A GLANCE

- **BeamSteady™ Arm** holds the beam rock-steady — no more wrestling a live load during fit-up.
- **Less re-handling** and fewer awkward positions, so fatigue and overtime don't eat your profits.
- **LowLift™ Jaw** drops the pickup point and opens wide, so forklifts can slide beams straight into the chain cradle, then close them in safely before rotation.
- **Keep welders on the floor,** not under a swinging beam.



BEAM CHAMP[®]
BY INNOVATECH[®]



Learn more at
[INNOVA.TECH/OUR-PRODUCTS/BEAM-CHAMP](https://www.innova.tech/our-products/beam-champ)

Contact:
sales@innova.tech
888-509-9210